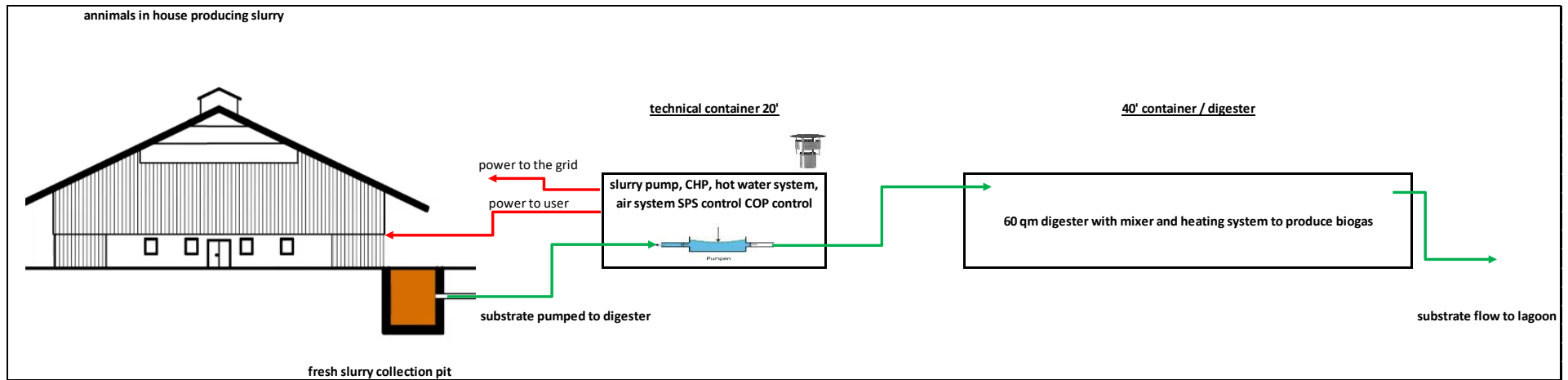




Bert mobile 60-15 Fact Sheet

Bert mobile 60-15 is a 40' container / digester with a 20' technical container. Both containers connected with each other are the bert mobile biogas plant. In short, we call it bert. Bert needs now to be connected to the biomass / substrate (ideally cow or pig slurry to start with) and the existing storage / lagoon system. Then the operation can begin. The on-board slurry pump needs to be connected to the fresh slurry collection pit. The pump will pump the slurry into the digester. Digested material will automatically flow into the existing lagoon. The electricity produced will be inserted into the local grid of the customer and access power will be put in the national power grid. CHP heat will be used to keep the digester at about 40°C. The biogas will be cleaned to ensure long engine life time.



Depending on the substrates, the output in KW/h can vary from 5 kW/h to max 15kW/h, which equals 42.500 kW/h – 127.500 kW/h per year. 15 kW is the max and can not guaranteed, normal range is from 42.500 kW/h – 80.000 kW/h per year. The goal is to produce enough energy to be self-sufficient. The final Kw/h output must be optimized with each substrate. The digestate is a fine fertilizer and does not smell! The whole process will run fully automatically.